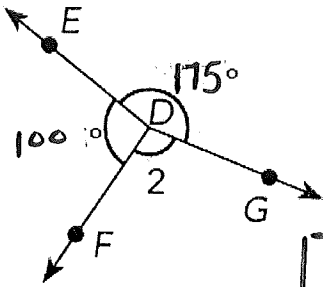


Chapter 6 Test Review – Sample Problems

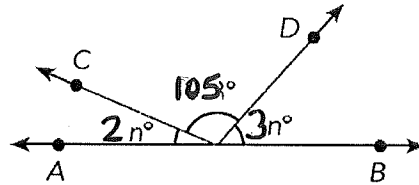
Find the measure of Angle 2



$$\angle 2 = 85^\circ$$

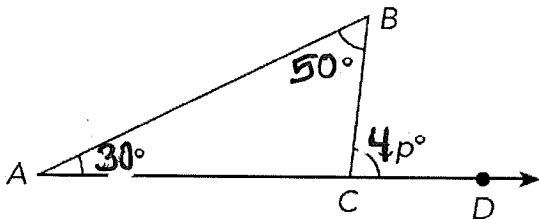
Name: Key

$\overline{AB}$  is a straight line. Find the value of  $n$ .



$$n = 15$$

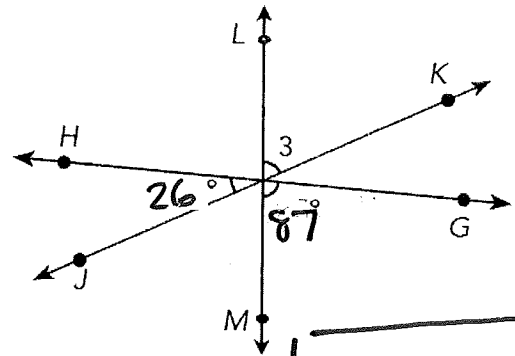
Find the value of  $p$ .



$$p = 20$$

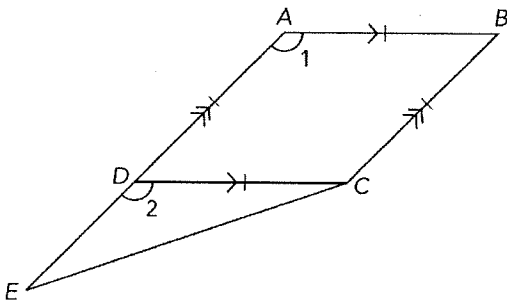
Find the measure of Angle 3

$\overline{HG}$ ,  $\overline{JK}$  and  $\overline{LM}$  are straight lines.



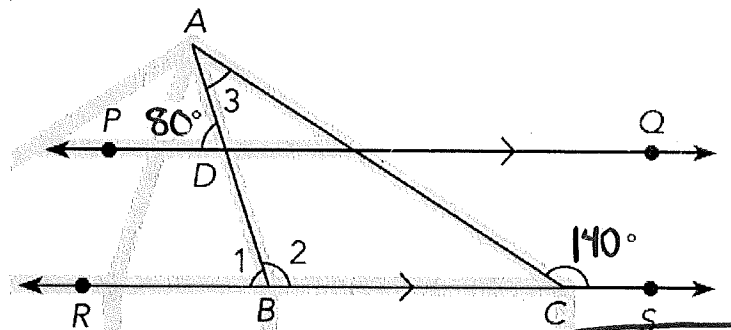
$$\angle 3 = 67^\circ$$

$ABCD$  is a rhombus.  $m\angle 1 = 120^\circ$  and  $m\angle 2 = 4r + 4$   
Find the value of  $r$ .



$$r = 29$$

Find the measures of Angles 1, 2, and 3



$$\begin{aligned} \angle 1 &= 80^\circ \\ \angle 2 &= 100^\circ \\ \angle 3 &= 40^\circ \end{aligned}$$

